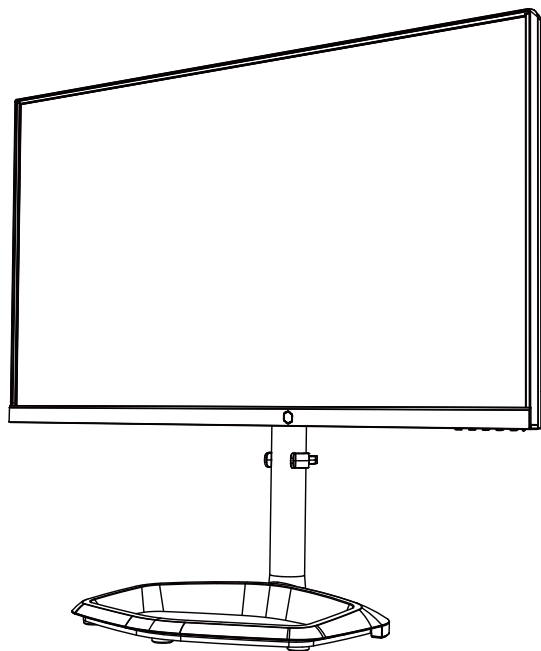




GM2711

Cooler Master 27" Gaming Monitor

User Manual



【English】

Table of Contents

Important Safety Instructions	1
Package Contents	2
Connect the monitor to the base	3
Adjusting the monitor	5
Wall Mount Installation Instructions	6
External Control Buttons	7
OSD Function Introductions.....	9
Main Menu	11
Specifications	16
Supported HDMI & DP Resolution	17
Declaration of Restricted Substances	18
Product Outline Dimensions	19

Requirements and Safety Notice

FCC Safety Notice

This product has been tested and determined to be meeting the limits for a Class B digital device and in compliance with Part 15 of the FCC Regulations. These requirements are set to reasonably protect the home installation environment from hazardous interference. This product will generate, use and emit radio frequency energy. Failure to install and use it as instructed may cause hazardous interference to radio communication. However, we cannot guarantee zero interference for certain installation methods. If this product has caused hazardous interference to radio or TV reception (turn on or turn off this product to for confirmation), the user may try to make adjustment with the following methods:

- Re-adjust the angle and position of the reception antenna.
- Increase the distance between the device and receiver.
- Do not use the power sockets of the device and receiver together.
- If assistance is needed, contact the distributor or a professional radio/TV technician.

CE Compliance Statement

Cooler Master Technology Inc. hereby declares that the monitor conforms to the following key standards and other related provisions:

EMC Directive 2014/30/EU, Low Voltage Directive 2014/35/EU, RoHS Directive 2011/65/EU and Directive 2009/125/EC establishing a framework for the setting of eco-design requirements for energy-related products.

Note:

To prevent damage of the monitor, do not lift the monitor from the support base.

Note: Shielded cable

To comply with the EMC requirements, a shielded cable must be used for connection between this product and any other computer device.

Note:

The monitor is exclusively used in the video and image display of information acquired from electronic devices.

Note: Peripherals

Only a peripheral device (I/O device, terminal, printer, etc.) that has been certified and met the Class B limits can be sold together with this product. If this product is used together with any other uncertified peripheral device, it may cause interference to radio and TV reception.

Warning

Any change or modification not approved by the original manufacturer may lead to the user losing the right to operate this product. Such authorization is given by the Federal Communications Commission.

Requirements for Use

This product meets the limits under Part 15 of the FCC Regulations. When operating this product, please meet the following two requirements: (1) This product may not generate hazardous interference; and (2) This product must accept any interference signal received, including interference that is likely to lead to unexpected operation.

Disposal of Waste Equipment by Home Users in EU



If this symbol appears on a product and its package, it indicates that the product cannot be disposed of together with other household waste. You have to deliver the waste equipment to a designated recycling center for recycling of waste electrical and electronic equipment. Proper sorting and recycling of resources during the disposal of waste equipment is helpful for protecting natural resources and ensuring that resource recycling can protect human health and environment. For detailed information about recycling centers where waste equipment is disposed of, contact the local municipal office, cleaning service or the store where the purchased product is found.

Canadian Department of Communications Statement

This digital apparatus does not exceed the Class B limits for radio noise emissions from digital apparatus set out in the Radio Interference Regulations of the Canadian Department of Communications.

This class B digital apparatus complies with Canadian ICES-003.

This Class B digital apparatus meets all requirements of the Canadian Interference Causing Equipment Regulations.

Cet appareil numérique de la classe B respecte toutes les exigences du Règlement sur le matériel brouilleur du Canada.

Important Safety Instructions

Please read the following instructions carefully.

1. To clean the LCD monitor screen:

Turn off the LCD monitor and unplug the power cord.

Spray a non-solvent cleaning solution onto a rag and clean the screen gently.

2. Do not place the LCD monitor near a window. Exposing the monitor to rain, moisture or sunlight can severely damage it.

3. Do not apply pressure to the LCD screen. Excessive pressure may cause permanent damage to the display.

4. Do not remove the cover or attempt to service this unit yourself.

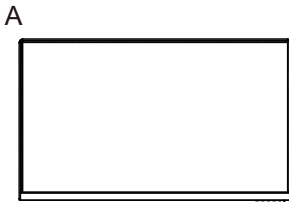
An authorized technician should perform servicing of any nature

5. Store the LCD monitor in a room with a temperature of -20° to 60° C (- 4° to 140° F). Storing the LCD monitor outside this range may result in permanent damage.

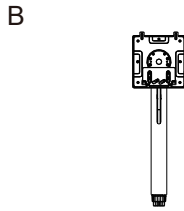
6. Immediately unplug your monitor and call an authorized technician if any of the following circumstances occur:

- Monitor -to-PC signal cable is frayed or damaged.
- Liquid spills onto the LCD monitor or the monitor is exposed to rain.
- The LCD monitor or case is damaged.

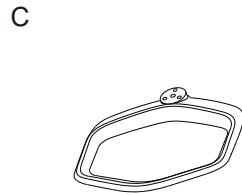
Package Contents



Monitor x 1



Support stand x 1



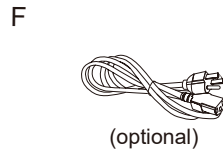
Support base x 1



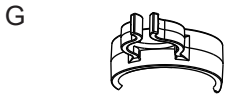
Power cord x 1



DP cable x 1



Power cord x 1



Cable clip x 1

(Used for cable fixed in the back of the support stand)

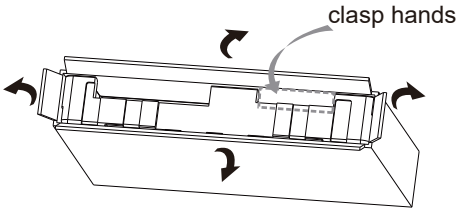


Base screw x 1

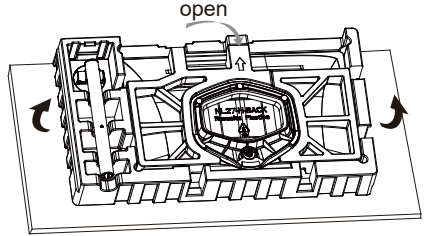
(Used for installation of the support base and support stand)

Connect the monitor to the base

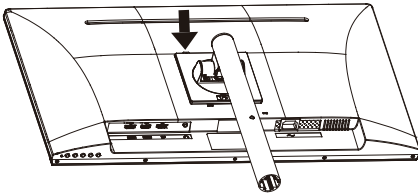
1



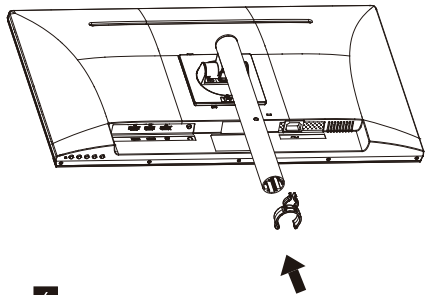
2



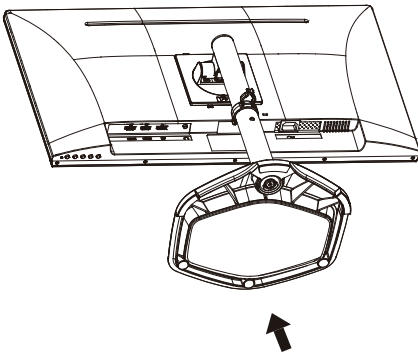
3



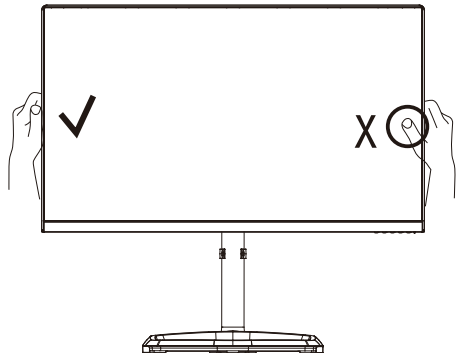
4



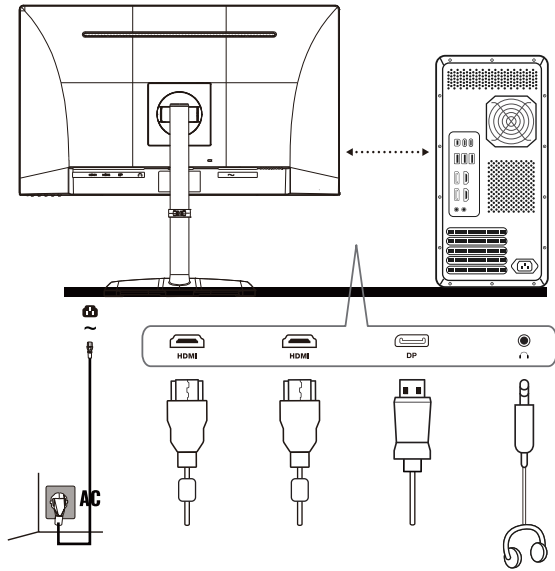
5



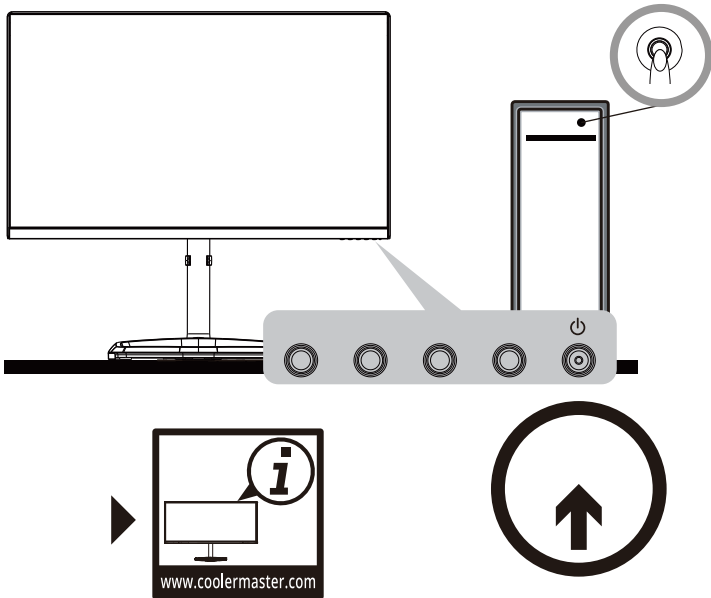
6



7

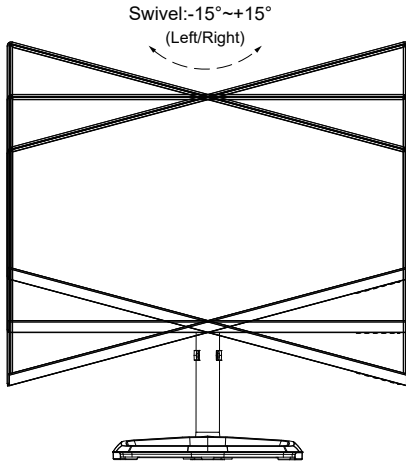


8

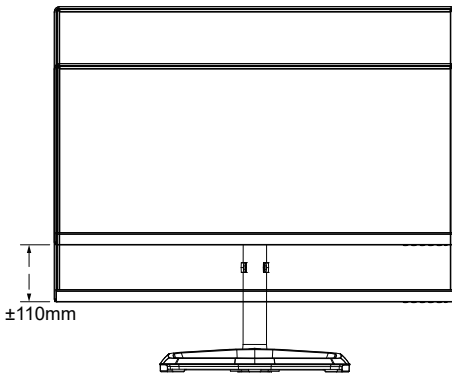


Adjusting the monitor

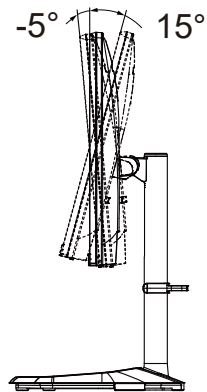
- For the best results, it is recommended to look directly at the front of the monitor and make any adjusts as necessary.
- Ensure that the monitor is mounted upright on the stand base.
- When adjusting the monitor viewing angles, avoid touching the screen and hold the stand in order to prevent it from falling over.



Swivel:-15°~+15°



Height Adjustment:0~110 mm

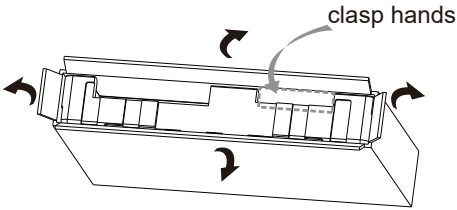


Tilt:-5°~+15°

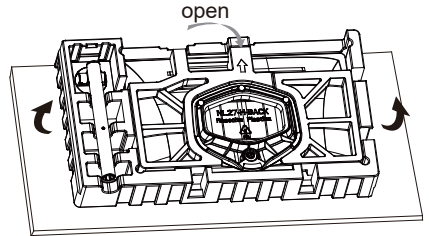
Note:It is normal that the monitor slightly shakes while you adjust the viewing angle.

Wall Mount Installation Instructions

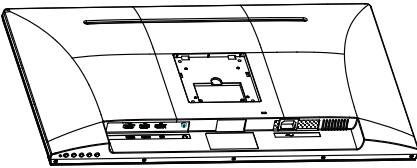
1



2



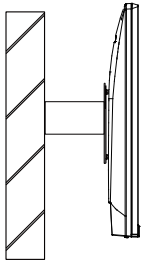
3



4



5



NOTE:

VESA SIZE:100X100MM;

Screw specification (back cover only) : M4X20mm

External Control Buttons

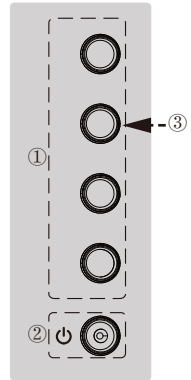
Navigation buttons<①>: Press the navigation button to enter menu .
<<options: Quick function option / Enter OSD menu options / Close fast navigation menu option >>, Adjust and navigate through the OSD menu based on the on-screen icons.

Power button<②>: Turn on/off the monitor.

NOTE: Power light;
Blue = ON;
Amber = Power Saving.

Shortcut :

- Crosshair: When the screen display normal, Hold down a button <③> to toggle the Crosshair function on/off.
- Picture Mode: Change and toggle through picture modes
<options: Standard/Game/User/Movie/Text Mode>
- Contrast/Brightness: Adjust contrast/brightness.
- Input Select: Select and change to different inputs.



The OSD Menu and OSD Quick-Menu Symbol explanations and their functional uses are stated below.



Menu: Displays the full OSD menu.



Select: Enters the highlighted submenu or edits the selected menu entry.



Exit: Closes the OSD menu. Turns off the on-screen button labels.



Back: Goes back to the previous menu or exits editing an entry.



Up: Moves the highlight up.



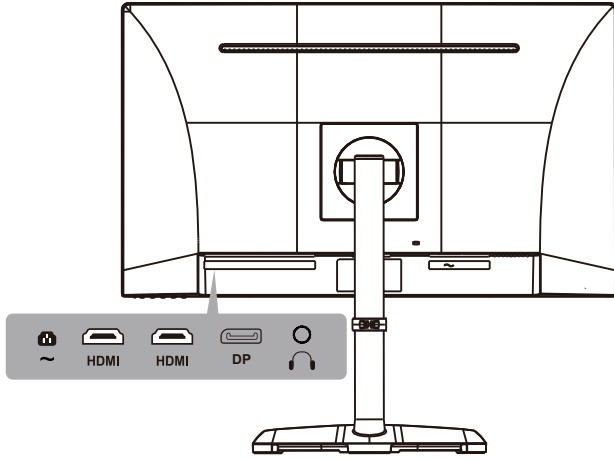
Down: Moves the highlight down.



Left/Decrease: Moves the highlight to the left or decreases the displayed value when editing an entry.



Right/increase: Moves the highlight to the right or increases the displayed value when editing an entry.



OSD Function Introductions

Level1	Level2	Level3	Default Value
Input Select	Auto		Auto
	DisplayPort		
	HDMI1		
	HDMI2		
Picture Mode	SDR Mode	Standard	Standard
		Game	
		User	
		Movie	
		Text	
	Brightness	(-/+) 0-100	80
	Contrast	(-/+) 0-100	70
	Aspect Ratio	Full	Full
		16:9	
		4:3	
	Sharpness	(-/+) 0-100	50
	Black Stabilization	(-/+) 0-100	50
	Advanced DCR	On	Off
		Off	
HDMI Range	Auto	Auto	
	Full		
	Limited		
HDR	Off	Auto	
	Auto		
Color Adjustment	Gamma	Off	2.2
		1.8	
		2.0	
		2.2	
		2.4	
		2.6	
	Color Temperature	Bluish	Native
		Cool	
		Native	
		Warm	
		User	
	Color Hue	Red	
		Green	
		Blue	
		Cyan	
		Magenta	
		Yellow	
	Color Saturation	Red	
		Green	
		Blue	
Cyan			
Magenta			
Yellow			
Color Domain	Auto	Auto	
	RGB Mode		
	YUV Mode		
Color Space	Auto	Auto	
	sRGB		
	Adobe RGB		
	DCI-P3		
Blue Light Filter		0-100	0

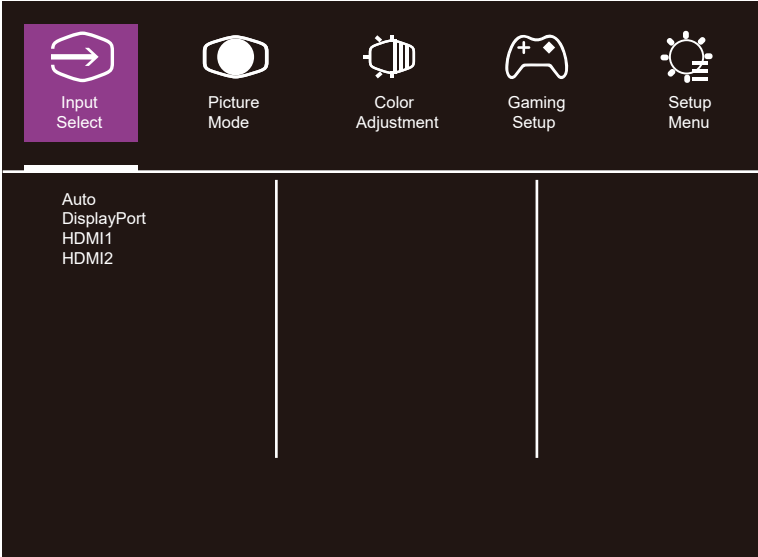
OSD Function Introductions

Level1	Level2	Level3	Default Value
Gaming Setup	FreeSync	On	Off
		Off	
	Overdrive	Off	Off
		Normal	
		Advanced	
UltraFast			
Game Assist	Crosshair		
Motion Clearness	Off	Off	
	On		
Setup Menu	Language	English	
		Français	
		Deutsch	
		Español	
		Italiano	
		Suomi	
		Русский	
		Vietnamese	
		日本語	
		한국어	
		繁體中文	
	簡體中文		
	Information	Resolution:XX Frame Rate:XXHz HDR: Off FreeSync: Off H. Frequency:XXKHz Pixel Clock:XXMHz FW:XX	
	Audio Adjust	Volume	
		Mute	
	OSD Timeout	(-/+) 5-60	15
	OSD Background	On	On
		Off	
	Power Indicator	On	On
		Off	
	Auto Power Off	On	Off
		Off	
	Sleep	30 Minutes	Off
45 Minutes			
60 Minutes			
120 Minutes			
Off			
PIP/PBP	PIP	Off	
	PBP		
	Off		
	PIP/PBP source		
Reset			

* When the screen display normal, gently press the button <③> to toggle the Crosshair function on/off

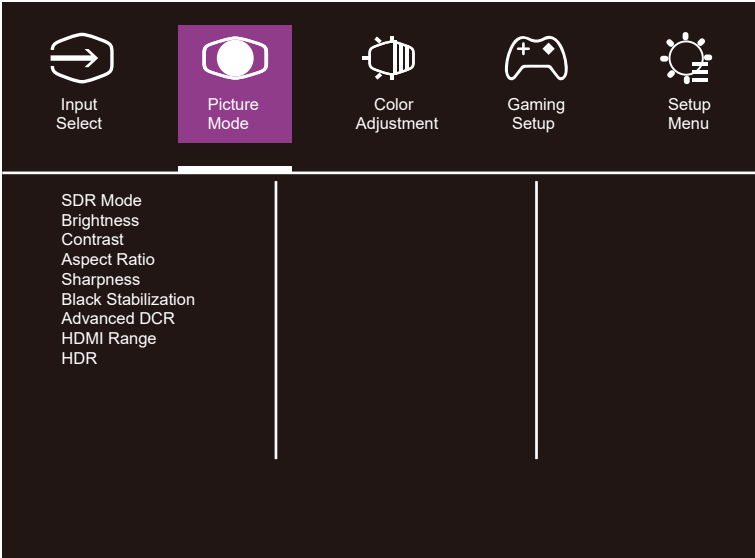
Main Menu

Input Select



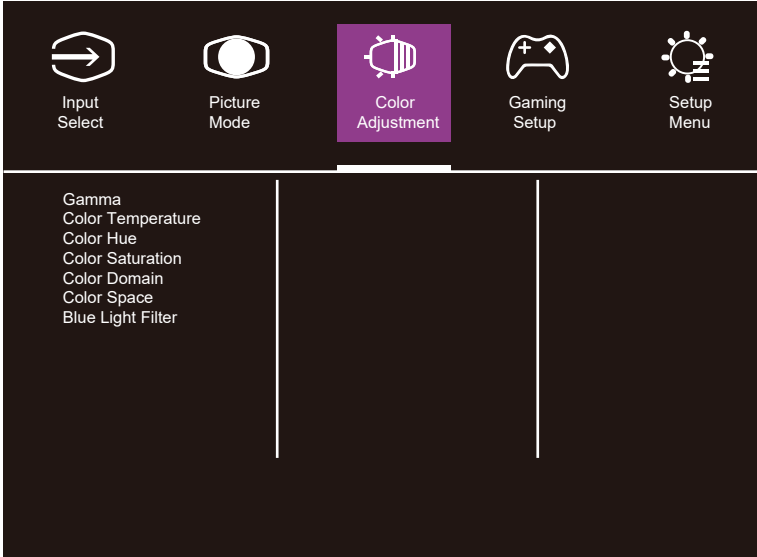
Note: Enter the input menu to switch the input signal.

Picture Mode

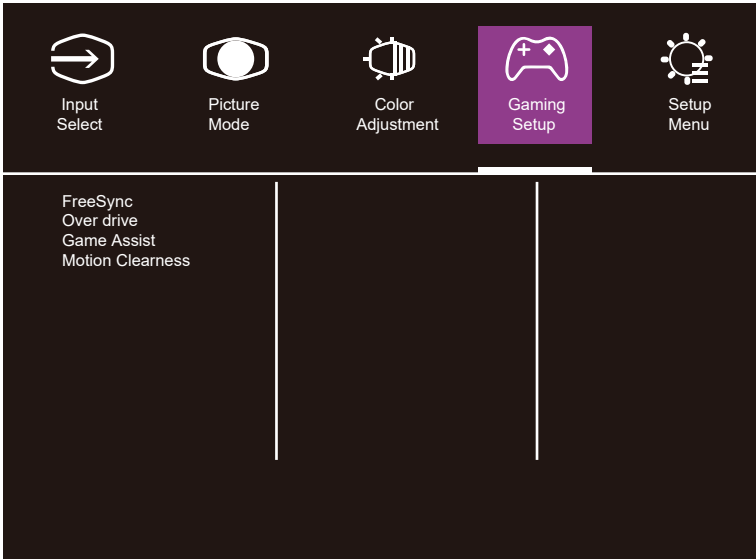


Note: Picture all kinds of choice model

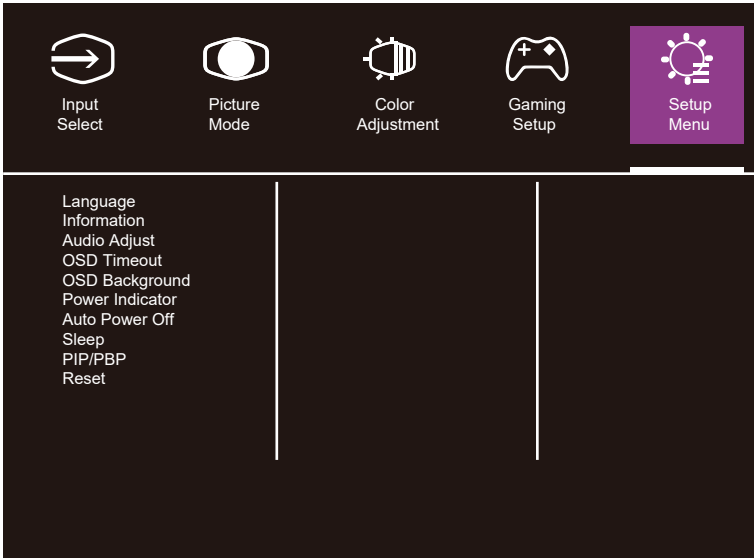
Color Adjustment










Gaming Setup



Setup Menu



Specifications

LCD panel	Size	27"
	Pixel pitch	0.2331(H) x 0.2331(V)
	Brightness	350cd/m2(Typ.)
	Contrast	1000:1(Typ.)
	Viewing angle	> 178° /178° (Typ.)
	Response time	1ms (MPRT)
Display colors		16.7 million colors
Max. display frequency (Resolution H*V/Fv)		2560 x 1440 @180Hz (DP interface) 2560 x 1440 @144Hz (HDMI interface)
Power consumption	Power On	41W Max
	Standby	≤0.5W
	Power Off	≤0.3W
Input/output connector		HDMI x 2 ; DP x 1 ; Earphone jack x 1;
Input video signal		HDMI signal (only for HDMI input model); DP signal (only for DP input model)
Audio effect		Audio output (only for audio output model)
Power		100-240V~50/60HZ 1.0A
Environmental conditions		Operating temperature:0°C~40°C; Storage temperature:-20°C~60°C; Operating humidity:20% ~ 80%
Machine size(L x Wx H)		617.1X45.9X366mm(Without stand/Base)
		617.1X273.7X561.7mm(Contains Support stand/Base)
Box Dimension(WxHxD)		838X128X486mm
Gross Weight(Esti.)		7.52kg/Unit
Weight (Net)		4.53 kg/Unit (Without stand/Base); 5.98 kg/Unit (Contains Support stand/Base)
Machine specifications		Height Adjustment: 0~110 mm Swivel : 0~15°for left and right Pivot: NA Tilt: -5°~15°
Compliance		
      		

If you have any question regarding use of the monitor, please visit:

<https://www.coolermaster.com/warranty>

*Specifications are subject to change without notice.

**Measure a screen brightness of 160 nits without audio/USB/Card reader connection.

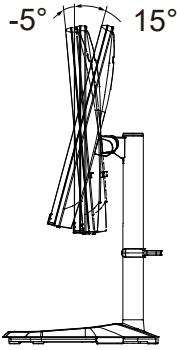
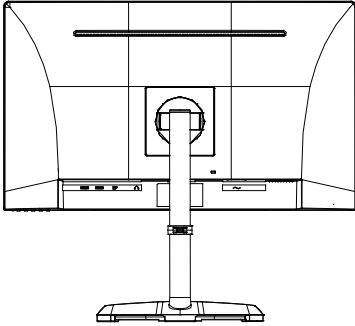
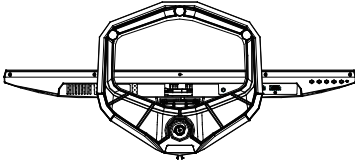
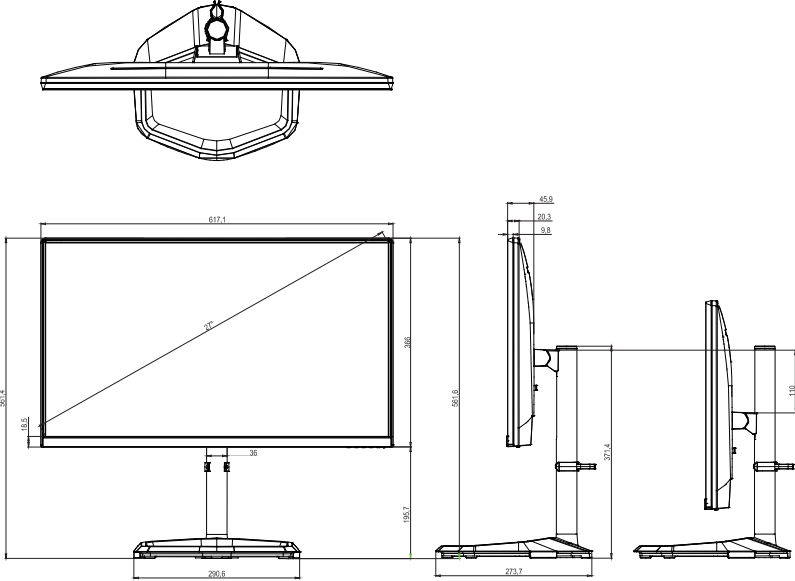
Supported Timing

Mode	Resolution	Horizontal Frequency (KHz)	Vertical Frequency (Hz)	Nominal Pixel Clock (MHz)	Port	
					HDMI IN	DP IN
VGA	640x480@60Hz	31.469	59.940	25.175	○	○
	640x480@72Hz	37.861	72.809	31.500	○	○
	640x480@75Hz	37.500	75.000	31.500	○	○
MAC	640x480@66.66Hz	35.000	66.667	30.240	○	○
VESA	720x400@70Hz	31.469	70.087	28.322	○	○
SVGA	800x600@56Hz	35.156	56.250	36.000	○	○
	800x600@60Hz	37.879	60.317	40.000	○	○
	800x600@72Hz	48.077	72.188	50.000	○	○
	800x600@75Hz	46.875	75.000	49.500	○	○
MAC	832x624@74.55Hz	49.722	74.550	57.280	○	○
XGA	1024x768@60Hz	48.363	60.004	65.000	○	○
	1024x768@70Hz	56.476	70.069	75.000	○	○
	1024x768@75Hz	60.023	75.029	78.750	○	○
VESA	1152x864@75Hz	67.500	75.000	108.000	○	○
	1280x960@60Hz	60.000	60.000	108.000	○	○
SXGA	1280x1024@60Hz	63.981	60.020	108.000	○	○
	1280x1024@75Hz	79.976	75.025	135.000	○	○
VESA	1280x720@60Hz	45.000	60.000	74.250	○	○
WXGA+	1440x900@60Hz	49.702	59.810	83.500	○	○
WSXGA+	1680x1050@60Hz	55.935	59.887	106.500	○	○
FHD	1920x1080@60Hz	67.500	60.000	148.500	○	○
	1920x1080@120Hz	148.697	119.982	285.500	○	○
QHD	2560x1440@60Hz	93.359	59.951	241.500	○	○
	2560x1440@120Hz	194.433	119.880	497.750	○	○
	2560x1440@144Hz	228.906	143.856	586.000	○	○
	2560x1440@165Hz	253.91	165	650.1	○	○
	2560x1440@170Hz	259.838	170	665.19	○	○

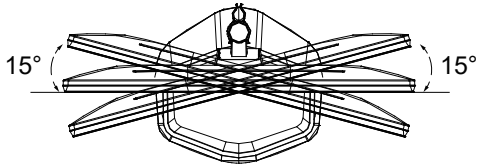
Declaration of Restricted Substances

Equipment name : LCD Monitor		Type designation (Type): GM2711				
Unit	Restricted substances and its chemical symbols					
	Lead (Pb)	Mercury (Hg)	Cadmium (Cd)	Hexavalent chromium (Cr ⁺⁶)	Polybrominated biphenyls (PBB)	Polybrominated diphenyl ethers (PBDE)
Internal and external cases (External case, case, support...)	<input type="radio"/>	<input type="radio"/>	<input type="radio"/>	<input type="radio"/>	<input type="radio"/>	<input type="radio"/>
Main Board	—	<input type="radio"/>	<input type="radio"/>	<input type="radio"/>	<input type="radio"/>	<input type="radio"/>
Other Circuit Boards	—	<input type="radio"/>	<input type="radio"/>	<input type="radio"/>	<input type="radio"/>	<input type="radio"/>
LCD Display Panel	<input type="radio"/>	<input type="radio"/>	<input type="radio"/>	<input type="radio"/>	<input type="radio"/>	<input type="radio"/>
Speakers	<input type="radio"/>	<input type="radio"/>	<input type="radio"/>	<input type="radio"/>	<input type="radio"/>	<input type="radio"/>
Base	<input type="radio"/>	<input type="radio"/>	<input type="radio"/>	<input type="radio"/>	<input type="radio"/>	<input type="radio"/>
Power Supply (Switching adapter)	—	<input type="radio"/>	<input type="radio"/>	<input type="radio"/>	<input type="radio"/>	<input type="radio"/>
Accessories (Power cable, HDMI signal cable...)	<input type="radio"/>	<input type="radio"/>	<input type="radio"/>	<input type="radio"/>	<input type="radio"/>	<input type="radio"/>
Other fixed components (Screws, clamps, latches)	<input type="radio"/>	<input type="radio"/>	<input type="radio"/>	<input type="radio"/>	<input type="radio"/>	<input type="radio"/>
<p>Note 1 : "Exceeding 0.1 wt %" and "exceeding 0.01 wt %" indicate that the percentage content of the restricted substance exceeds the reference percentage value of presence condition.</p> <p>Note 2 : "○" indicates that the percentage content of the restricted substance does not exceed the percentage of reference value of presence.</p> <p>Note 3 : The "—" indicates that the restricted substance corresponds to the exemption.</p>						

Product Outline Dimensions



Tilt: -5°~+15°



Swivel: -15°~+15°
(Left/Right)